

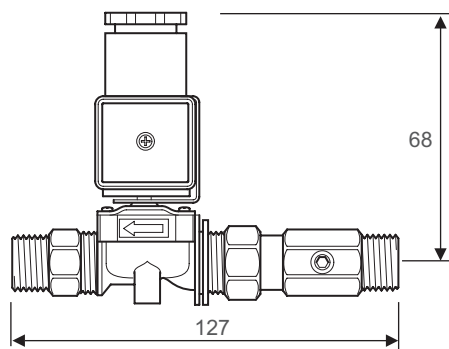
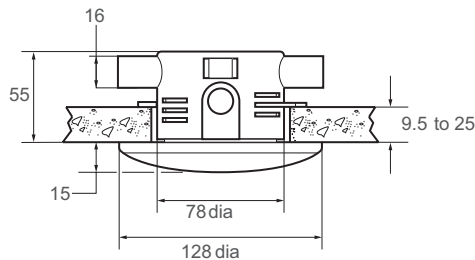
RADA PULSE 126 OPERATING SYSTEM



- WRAS Approved
- Hygiene 'non-touch' automatic urinal flushing
- Ceiling mounted sensor for 'non-touch' control of multiple urinals
- Programmable flush times provides flexibility and greater economy
- Automatic duty flush when building unoccupied
- All elements linked via safe extra low voltage (12 Volts) supply
- For use with Rada Pulse Control Box system
- For Group (up to three) urinal flushing



Dimensions (mm)

**Specify as: Rada Pulse 126 Operating System (1.1495.067)**

Each group of up to three urinal bowls to be served by one Rada Pulse 126 Operating System ceiling mounted flow control. Complete with concealed passive infra-red sensor and 1/2" solenoid valve with isolator and filter.

Specification Enquiries

TECHNICAL SPECIFICATION

Installation and Maintenance

Please refer to the appropriate Product Manual.

When the design of today's washrooms require higher levels of hygiene and energy savings, Rada provide the solution.

The sensor is recessed into false ceilings or ceiling tiles, and is supplied with a conduit box, front fixings, plate and cover screws.

The solenoid valve should be accessible for maintenance purposes. Supplied complete with integral isolator and filter.

For details of the Rada Pulse Control Box, refer to the applicable datasheet. Each Rada Pulse Control Box will accommodate a maximum of 10 operating systems.

Approvals

CE Approved.

WRAS approved (Water Regulations Advisory Scheme)
Designed, manufactured and supported in accordance with accredited BS EN ISO 9001:2008 Quality Management Systems and BS EN ISO 14001:2004 Environmental Management Systems.

Operation

When the sensor is activated, the Rada Pulse Control Box, waits for a period of inactivity before, energising the solenoid valve.

The solenoid valve opens - allowing water to flow through the outlet.

The duration of the flow can be preset, via the Rada Pulse Control Box, ensuring optimum saving of water and energy.

Materials

Base: ABS, Cover: Polycarbonate.

Solenoid Valve: Body material fibreglass polyimide.

Delay and Flush Timing

The operating systems are programmed remotely, via the Hand Held Programmer. The programmer is simply plugged into the control box then used to either set up or adjust the flow timings using the easy to follow menu structure.

The programmer can be removed after adjustment to prevent unwanted tampering.

Pressures

Solenoid valve: 0.2 - 10 bar (20 - 1000 kPa).

Electrical Specification

Protection class: Sensor, electronic module IP55.

Supply voltage: 12V AC + 10% 50/60 HZ,
via Rada Pulse Control Box.

Operating ambient temperature range: 0°C - 40°C.

Maximum humidity: 80%.

Wiring from sensor to control box: 2 core PVC covered cable, 3.0 m supplied.

Sensor range: between 0.50 and 2.5 metres.

Operation Schematic

