

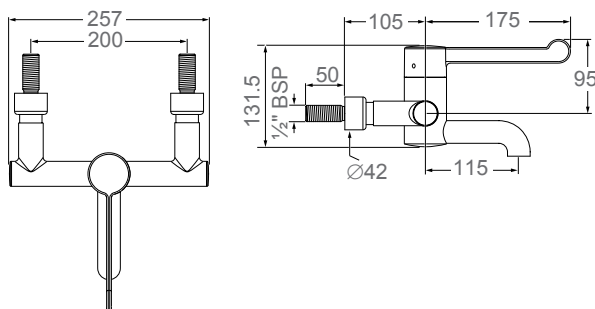
RADA SAFETHERM THERMOSTATIC CLINICAL TAP



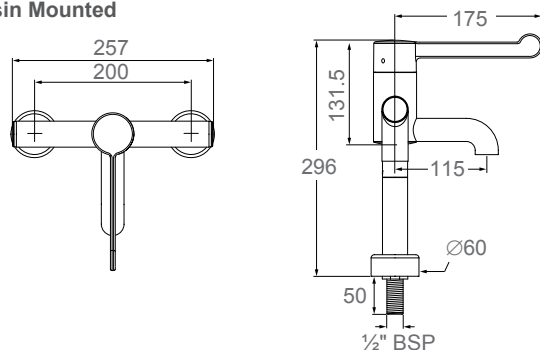
- Buildcert TMV3 Scheme Approved
- WRAS Approved
- Thermostatic clinical basin tap available in either panel or deck mounted configurations
- Compliant with HBN 00-10 Part C and HTM04-01.
- Chrome plated, open outlet flow straightener with a copper-lined internal bore.
- Safe-to-touch. Features Insutech⁺ technology to reduce surface temperature to a safe level
- Innovative design minimises water retention in the body and spout, to contribute to improved bacterial control
- Easy access to filters to support routine servicing and reduce down time
- Disinfectant (Freebac) added after assembly to minimise the risk of microbial growth prior to installation

Dimensions (mm)

Panel Mounted



Basin Mounted

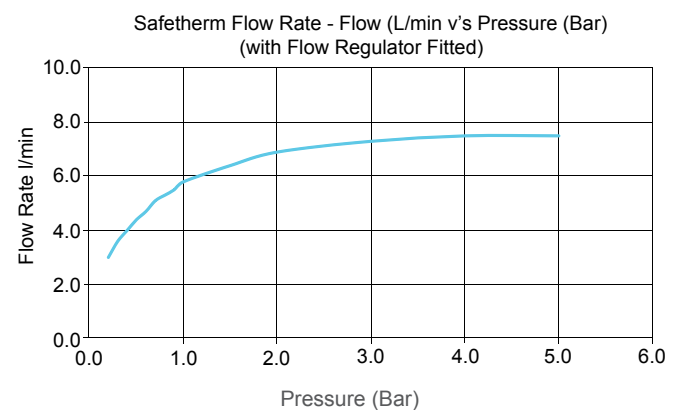

Specify as: Rada Safetherm Thermostatic Clinical Tap (1.1704.001)

TMV3 approved panel mounted, thermostatic mixer tap featuring Insutech⁺ technology, chrome plated brass open flow straightener, isolating ball valves and easily accessible filters and check valves.

Specify as: Rada Safetherm Basin Mount Thermostatic Clinical Tap (1.1704.002)

TMV3 approved deck mounted, thermostatic mixer tap featuring Insutech⁺ technology. Chrome plated brass open flow straightener, isolating ball valves and easily accessible filters and check valves.

Flow Diagram



Kohler Mira Limited
Cromwell Road
Cheltenham
Gloucestershire
GL52 5EP

Specification Enquiries

Tel: 0844 571 1777
Fax: 0844 472 3076
Email: rada_technical@mirashowers.com
www.radacontrols.com

HAND WASHING

TECHNICAL SPECIFICATION

Installation and Maintenance

Please refer to the appropriate Product Manual.

Connections

Inlets: 15 mm Compression or ½" BSP Flat Face .
Standard connections are: **hot - left, cold - right.**
The inlet connectors are fixed at 200 mm centres.

Approvals

Buildcert TMV3 Thermostatic Mixing Valve Scheme approved:
HP-WE - High Pressure Washbasin Economy
LP-WE - Low Pressure Washbasin Economy
Certificate No: BC 596 0210.
Complies with the technical requirements of BS7942 for the same designations.
Designed to comply with European Standards EN1111 and EN1287.
WRAS listed (Water Regulations Advisory Scheme).
Designed, manufactured and supported in accordance with accredited BS EN ISO 9001:2008 Quality Management Systems and BS EN ISO 14001:2004 Environmental Management Systems.

Operation

The Rada Safetherm has a single sequential control which when rotated initially opens the valve, then increases temperature from cold to a pre-set maximum. A 175 mm lever allows for simple wrist or elbow operation.

Materials

Body: Chrome Plated Bass.
Lever: Chrome Plated Zinc Casting.

Temperature Range

Factory Pre-set (Blend): 41°C.
Optimum Thermostatic Control Range: 35°C to 43°C (achieved with supplies of 15°C cold, 65°C hot and nominally equal pressures).
Recommended Hot Supply: 60°C to 65°C.

Note! The mixing valve can operate at higher temperatures for short periods without damage, however this could detrimentally affect thermostatic performance. For safety and performance reasons it is recommended that the maximum hot water temperature is limited to 65°C.

Cold Water Range: up to 25°C.
Minimum recommended differential between hot supply and outlet temperature: 12°C.

Pressures/Flow Rate

Max Static Pressure: 10 Bar.
Max Maintained Pressure: 5 Bar.
Min Maintained Pressure (Gravity System): 0.1 Bar.
(0.1 bar = 1 Metre head from cold tank base to tap spout).
For optimum performance supplies should be nominally equal.

Weight

Product	Gross Weight (kg's)	Total Packaged Weight (kg's)
Rada Safetherm	3.715	4.0
Rada Safetherm Basin Mount	4.655	5.0

Kohler Mira Limited
Cromwell Road, Cheltenham
Gloucestershire, GL52 5EP

Specification Enquiries
Tel: 0844 571 1777, Fax: 0844 472 3076
Email: rada_technical@mirashowers.com
www.radacontrols.com

Rada is a registered trademark of Kohler Mira Limited.
The company reserves the right to alter product specification without notice.
© January 2012 Kohler Mira Limited. All rights reserved.
No part of this document, or any accompanying document, may be reproduced or transmitted in any form or by any means, including photocopying or electronically, without the permission of Kohler Mira Limited.

A **KOHLER** COMPANY



FM 14648

